

BN and BB

Multibeams Electronic

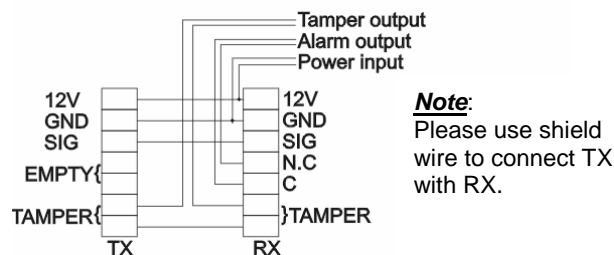
Protection Rail

User's Manual

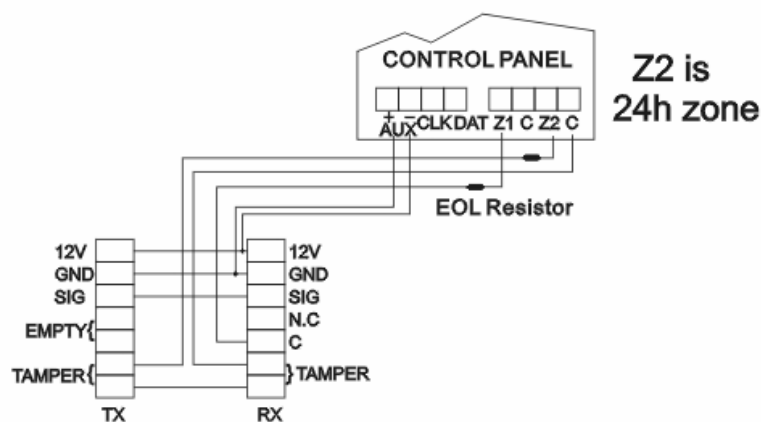
Specifications:

- Dimensions: 560mm, 760mm, 1120mm, 1520mm, 2000mm
- Maximum Range: 15m Outdoor ; 30m Indoor
(see "Summary of TX programming")
- Operating Voltage: 10,5Vdc to 16Vdc
- Operating Current: ≤ 80mA
- Relay Output: NC Contact, 50V AC/DC, 120mA or less
- Temperature Range: -25°C to +55°C
- Mounting Positions: Indoor/Outdoor
- Attenuation LED: ON – Power is present and beams are aligned
Flash – When beams are blocked
- Alarm Mode: Programmable trigger upon simultaneous blocking of any single or 2 adjacent beams
- Programmable buzzer hint for blocking of any single or 2 adjacent beams
- Aluminium material available in white, black, brown and grey
- Number of beams: H 560= 3 (double) H760= 4 (double) H 1120= 6 (double)
H 1520= 8 (double) H 2000= 10 (double)

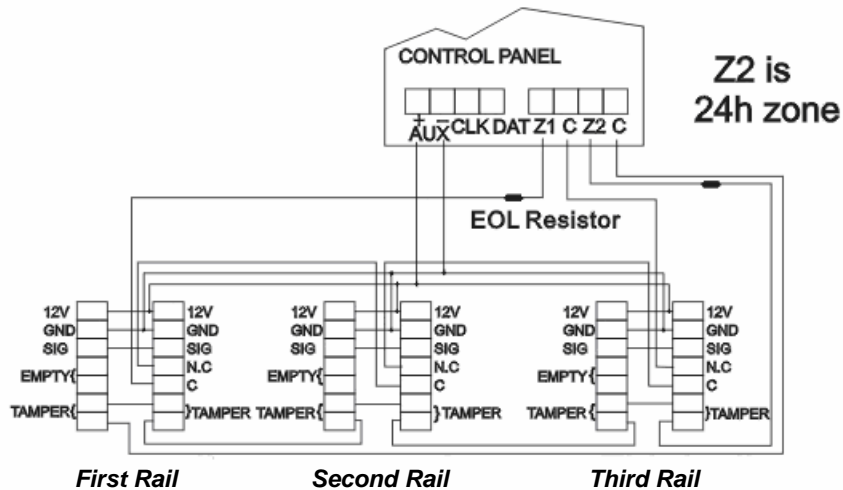
Rail Connection:



Rail Connection to Control Panel:



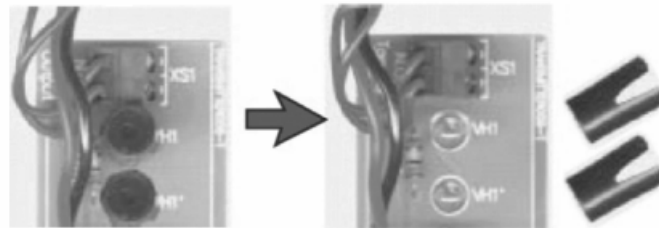
Connections with other Rail to the Control Panel:



Removing the lens caps

For best results when the curtain sensors mounted outdoor or false alarms, remove the transmitter lens caps or adjust transmitter jumper labeled "S1, S2".

(Important: DO NOT REMOVE THE RECEIVER LENS CAPS)



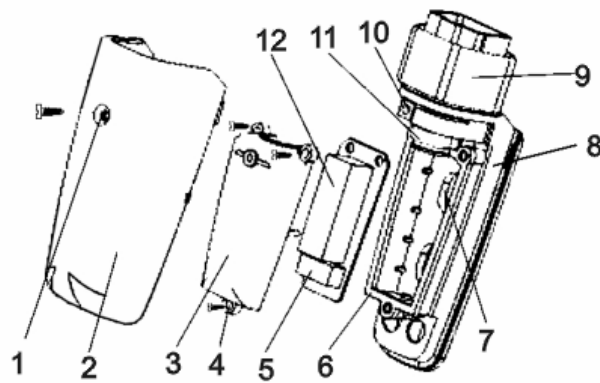
Summary of TX programming:

	S1	S2	Indoor	Outdoor
Distance adjust			10m	5m
			16m	8m
			24m	12m
			30m	15m
Buzzer hint type	JMP2		Buzz if any beam is interrupted	JMP2
Buzzer on-off	ON OFF BEEP BUZZER enable		ON OFF BEEP BUZZER disable	

Summary of RX programming:

	1C2	1C2
LED operation jumper labeled: "JMP1"	<ul style="list-style-type: none"> ● LED ON if power is present and beams are aligned ● LED Flashes when beams are broken 	<ul style="list-style-type: none"> ● LED ON if sensor is triggered ● LED Flashes when beams are broken
Number of beams to interrupt to trigger receiver. Jumper labeled: "JMP2"	1 beam Triggers if any beam is interrupted	2 beams Triggers only if 2 adjacent beams interrupted at same time

Mounting:



1. Front cover lock screw
2. Front cover
3. Inner cup
4. Inner cup lock screw
5. Tamper switch
6. Inner cup seal joint
7. Mounting holes & Base seal
8. Base
9. End cup
10. Rotary axes fixation screw
11. Rotary axes seal
12. Terminal block

The figure below shows a perspective lateral of the multibeams system for a barrier 2m height.

